

MS "OCEAN BIRD"

FACT SHEET

CALLSIGN: OWHU6- IMO 8919817 - SAT C NO 421921210 - TEL. +870 764 646 171- GSM + 870 764 646 173
 BB-OWNERS: K/S OCEAN BIRD, BATTERIVEJ 7, KORSØR, DENMARK
 PORT OF REGISTRY: KORSØR
 FLAG: DANISH



MAIN PARTICULARS :

CLASS:

GL 100A5 EQUIPPED FOR CARRIAGE OF CONTAINERS
 GL MCE AUT STRENGTHENED FOR HEAVY CARGO
 CERTIFICATE FOR TRANSPORT OF INF I AND II

BUILDERS:

HDW-NOBISKRUG G.M.B.H., RENDSBURG 6/1991

REGISTER TONNAGE:

TYPE	INTERNATIONAL	SUEZ	PANAMA
GROSS	3320	3251	3385
NET	1724	2585	2528

DIMENSIONS:

LENGTH OVER ALL	94,40 M
LENGTH BETWEEN PP	87,33 M
BREADTH MOULDED	15,50 M
DEPTH TO MAIN DECK	7,90 M
DEPTH TO TWEEN DECK	5,90 M
DRAFT FULLY LOADED SUMMER	6,25 M

DEAD WEIGHT CAPACITIES:

DEAD WEIGHT A.T.	4875 MTS
DEAD WEIGHT C.C. EST.	4450 MTS

CONTAINER CAPACITIES:

TOTAL CAPACITY 20' x 8' x 8'6"	327
HEREOF: IN CARGO HOLD	131
ON DECK	196
CAPACITY WITH AVERAGE 14 TS	220
CAPACITY WITH AVERAGE 18 TS	185
REEFER CONTAINERS	60

STACKLOAD:

TANKTOP	72 TS EACH 20' 90 TS EACH 40'
DECK	30 TS EACH 20' 40 TS EACH 40'

CARGOHOLDS/HATCH

BOXED - STEEL FLOORING
 30 AIR CHANGES PER HOUR BASIS EMPTY HOLDS
 TWEEN DECK HOISTABLE IN 3 DIFFERENT HEIGHTS
 FITTED WITH SMOKE DETECTORS AND CO₂

3 STEEL BULKHEADS CAN BE ERECTED GIVING 4 SEPERATE HOLDS

CUBIC CAPACITIES IN HOLDS:

WITHOUT TWEEN DECK HATCH COVERS	207.020 CBFT
WITH TWEEN DECK HATCH COVERS	194.590 CBFT

CRANES:

2 EL HYDRAULIC LIEBHERR CRANES MOUNTED PORT SIDE
 COMBINABLE UP TO 100 TS WITHOUT SPREADER
 FITTED WITH SPREADER WEIGHT 5,4 MT

DECK STRENGTH:

TANKTOP - STEEL	10,0 TS PER M ²
TWEEN DECK - STEEL PONTOONS	2,0 TS PER M ²
MAIN DECK - STEEL PONTOONS	1,5 TS PER M

TANK CAPACITIES:

FUELOIL	405 TS
GASOIL	70 TS
FRESH WATER	70 TS
BALLAST WATER	1700 TS

ENGINES:

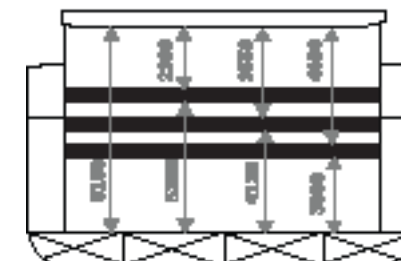
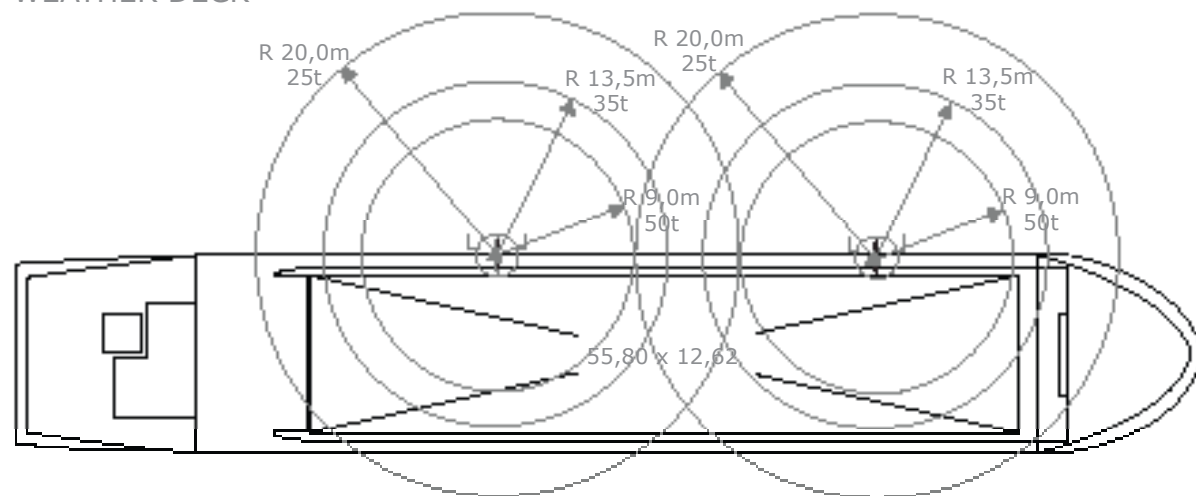
MAIN ENGINE:	MAK TYPE 6M 453C WITH 2200 KW
AUX. ENGINES:	2 MTU OF 313 KW 1 MTU OF 87 KW
SHAFTGEN.:	1 OF 325 KW
BOWTRUSTER:	1 OF 200 KW

BRIDGE EQUIPMENT:

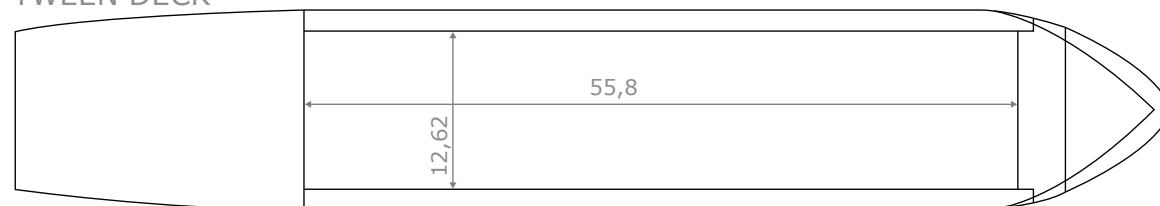
LOADMASTER
 2 RADARS KELVIN HUDGES 2000 R
 DOPPLER LOG
 GMD5 EQUIPPED A1, A2, A3

ALL PARTICULARS BELIEVED TO BE CORRECT, BUT NOT GUARANTEED

WEATHER DECK



TWEEN DECK



TANK TOP

